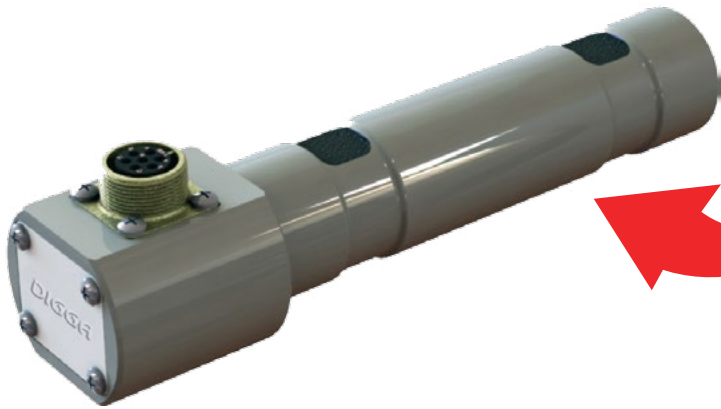


UPDATED



THE ULTIMATE HELICAL PILE MEASURING SOLUTION

MORE THAN JUST TORQUE!

- ✓ 99%+ Accurate Torque Measurement
- ✓ Alignment Indicator
- ✓ Data Logging
- ✓ Wireless / wired display option

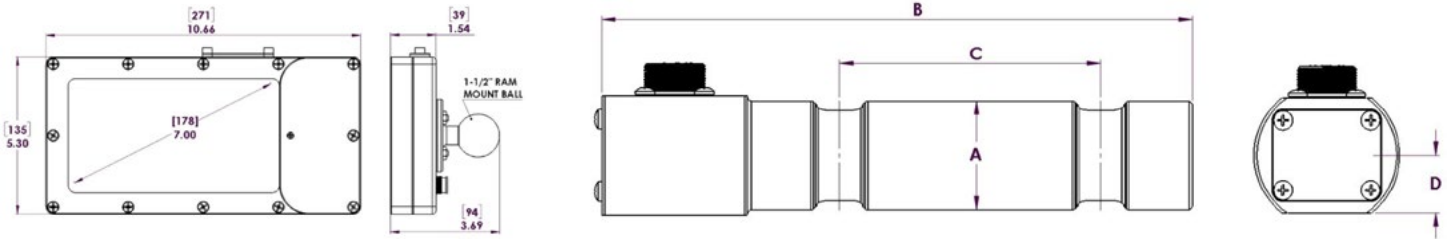
SIMPLE INSTALLATION

- Calibrated pin replaces OEM hood pin
- In-cab touch 7in screen display
- Superior design & engineered for tough conditions

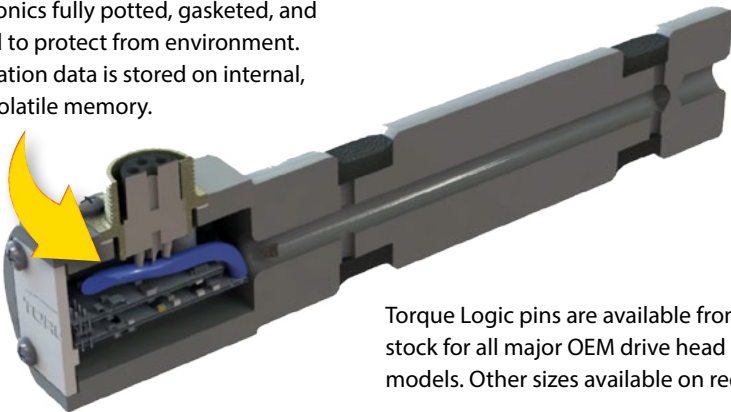
EXPORT DATA LOGGING RECORDS

- Torque, pile depth, angle, date, time
- Additional user-defined export fields
- Optional laser range finder for automated depth measurement & recording

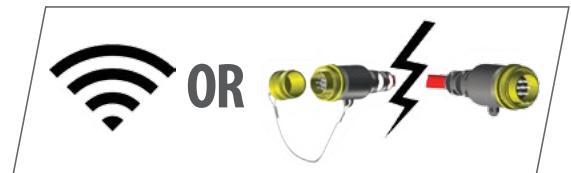




Electronics fully potted, gasketed, and sealed to protect from environment. Calibration data is stored on internal, non-volatile memory.



Torque Logic pins are available from stock for all major OEM drive head models. Other sizes available on request.



Data is sent over a wired or wireless connection (a robust 2.4 GHz RF FHSS signal to the handheld display/datalogger).

Digga's Torque Logic measures and records torque, inclination and offers the user the opportunity to manually enter pile depth as well as other job specific information.

TORQUE LOGIC SYSTEM SPECIFICATIONS

Rated Output (R.O.)	2 mV/V nominal
Nonlinearity	0.1% of R.O.
Hysteresis	0.1% of R.O.
Nonrepeatability	0.05% of R.O.
Zero Balance	0.1% of R.O.
Compensated Temp. Range	16° to 71°C
Safe Temp. Range	-54° to 93°C
Temp. Effect on Output	0.005% of Load/°C
Temp. Effect on Zero	0.005% of R.O./°C
Terminal Resistance	350 ohms nominal
Excitation Voltage	5 VDC
Safe Overload	150% of R.O.

7" Window OS Tablet embedded in a rugged ABS casing. Designed to IP67 ingress protection.

Circuit boards, firmware and software are all designed specific for the application. Fully potted, sealed, gasketed, and cushioned to ensure maximum protection and long life.



TORQUE LOGIC PIN SPECIFICATIONS

MODEL	DIAMETER (A)	OAL (B)	SPACING (C)	ANTI-ROTATION (D)
DIGGA DRILLING / ANCHOR DRIVES (9-30T)	1.772" [45mm]	9.63" [244mm]	4.25" [108mm]	0.969" [24.6mm]
DIGGA SD ANCHOR DRIVES	2.953" [75mm]	13.68" [348mm]	5.35" [136mm]	1.554" [39.5mm]
DIGGA MD/UD ANCHOR DRIVES	3.812" [97mm]	17.0" [432mm]	8.07" [205mm]	2.082" [52.9mm]
DIGGA XD ANCHOR DRIVES	4.724" [120mm]	22.98" [584mm]	12.0" [305mm]	2.490" [63.2mm]