

EXCAVATOR PILING CRADLE

Developed for faster connection to the auger or pile, the Ryno Cradle Hitch is designed to handle the torsional loads of anchors and screw piling.

The Ryno Hitch front cradle allows the operator to angle the drive up to 90 degrees for easy connection to augers or anchors while a rear cradle stops the auger drive or anchor from swinging about whilst manoeuvring over uneven terrain.

Features

- Compact - Provides operator with faster connection to auger/pile
- Safer - No more standing piles or large augers with persons or machinery for connection to drive
- Extra Heavy Duty, fully engineered design
- Premium Grade Steel



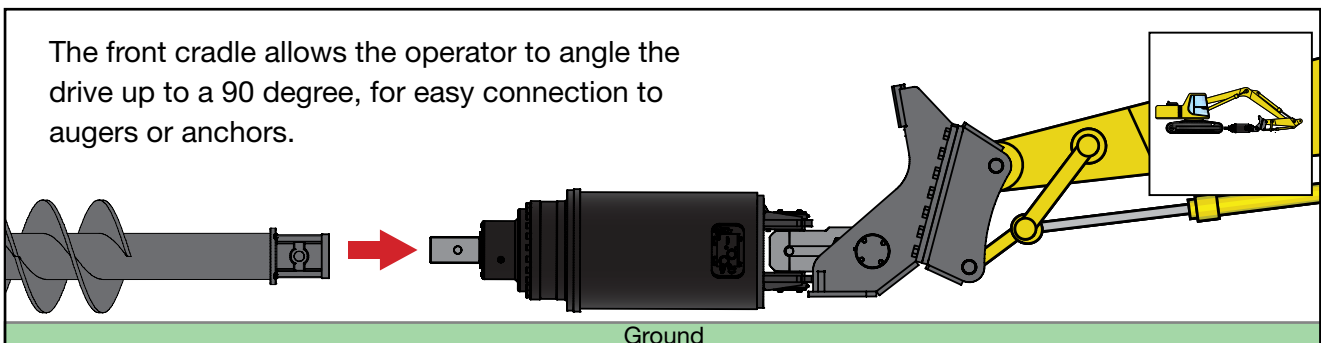
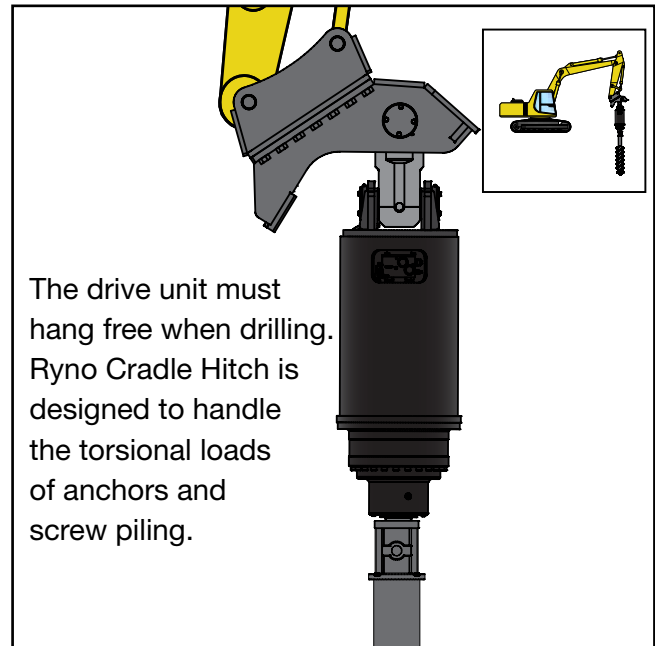
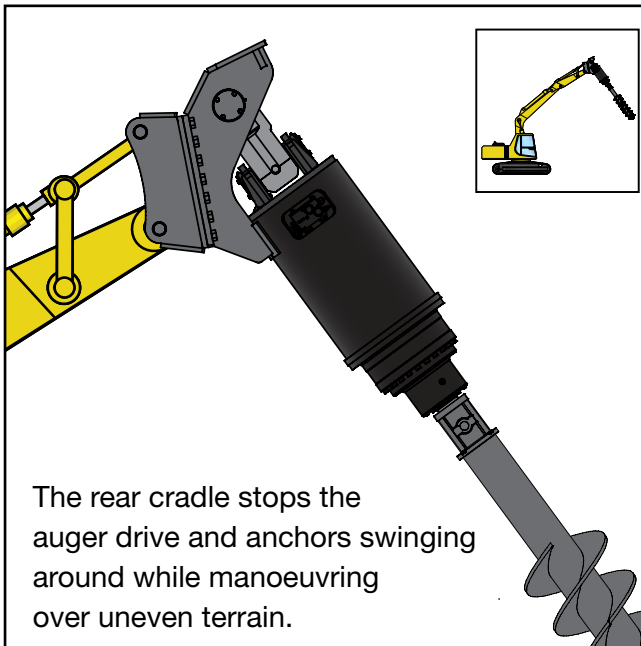
Ideal Use

Augering, Screw anchoring, piling, foundation drilling.

Drive Suitability

Premium Drives, Supa Drives, Mega Drives, Ultra Drives, and Xtreme Drives (4,000 Nm - 500,000 Nm).

3 CRADLE POSITIONS



EXCAVATOR PILING CRADLE

TOTAL SOLUTION

Digga can provide both the mounting hitch to the excavator & the Ryno Hitch.

