

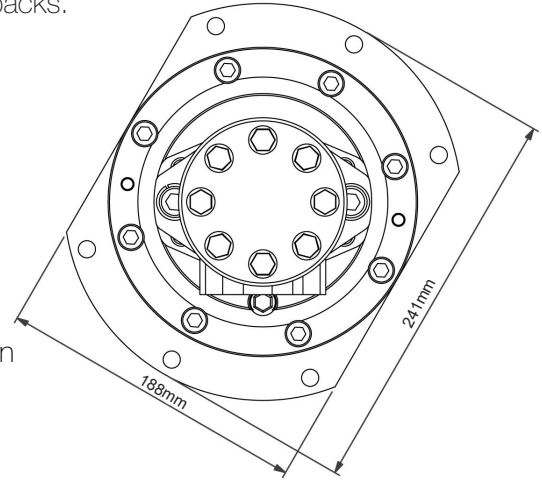
HAND-HELD ANCHOR DRIVE

Light weight, hand held, screw anchor drive for the installation of screw piles in confined or low access sites such as crawl spaces.

The units can be powered by portable hydraulic power packs.

Features

- Compact high torque Digga manufactured gearbox.
- Lightweight, just 90lbs for ease of movement in confined spaces
- Fitted with a high efficiency Eaton/Digga geroler hydraulic motor
- Motor mounted pressure relief valve fitted standard on HH-6K Drive
- 30 years design and manufacturing experience
- 1yr gearbox and 1yr warranty



Specifications

	HH-6K	MM-10K
Max Torque	8,849 Nm @ 142 Bar	14,206 Nm @ 205 Bar
Maximum Pressure	145 Bar @ 42 lpm	205 Bar @ 70 lpm
Maximum Flow	57 lpm @ 159 Bar	70 lpm @ 205 Bar
Max Power	15 Kw	33 Kw
Pressure Relief Valve Fitted	STD	N/A
Standard Output Shaft	2" Hex	2.5" Hex
Weight (no frame or hitch)	40 kg	63 kg
Overall Length	500 mm	612 mm
Diameter	240 mm	290 mm



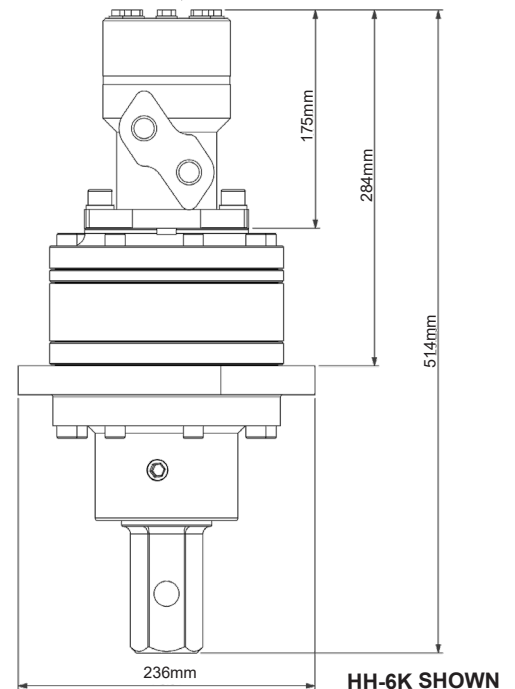
Hand held units are not suitable for machine mounting. Warranty void if used on machines.

Output Torque

BAR	Output Torque	
	HH-6K	MM-10K
50	3,055	3,431
60	3,666	4,118
70	4,277	4,804
80	4,888	5,490
90	5,499	6,176
100	6,110	6,863
110	6,721	7,549
120	7,332	8,235
130	7,943	8,922
140	8,554	9,608
150		10,294
160		10,980
170		11,667
180		12,353
190		13,039
205		14,206

Output Speed

LPM	Output Speed	
	HH-6K	MM-10K
30	8	7
35	9	8
40	10	9
45	12	10
50	13	12
55	14	13
60	16	14
65	-	15
70	-	16



Output speed and torque specifications are THEORETICAL. Speed and torque output are dependent on the overall system efficiencies associated with the prime movers hydraulic system. This document should be used for information and comparative purposes only. When determining criteria, & application specific information is required, please contact DIGGA.